

## Cartridge filter

### AFT7-28

### 1. Introduction

The Filtration Group BV AFT series of cartridge filter housings have been designed to offer a cost effective range of stainless steel filter housings. Available in a wide range of options these housings are suitable for a broad range of applications, particularly in water applications.



### 2. Features

- Accepts a wide range of end fittings - Single open end (with or without fin) and Double open end (DOE)
- Suitable for multiple numbers of cartridges
- V clamp closure design
- 304 or 316 stainless steel for wide chemical compatibility
- Ease of use design and construction
- Wide range of inlet/outlet options
- O-ring sealing: EPDM

### 3. Standard specifications

Design pressure : 10 bar(g)  
 Design temperature : - 10 / 90 °C  
 Operating temperature depending on the filter media and gaskets  
 : used  
 PED 2014/68/EU cat. : article 4 paragraph 3

#### Maximum differential pressure

design : 2.5 bar  
 operating : depending on type of filter cartridge  
 installed

The internal construction is designed to accept:

- Double open end (X0, X4 and X9)
- Single open end (X3 and X8)



## 4. Models

Filtration Group BV. can supply several standard sizes in stainless steel. These are available with threaded connections or flanged.

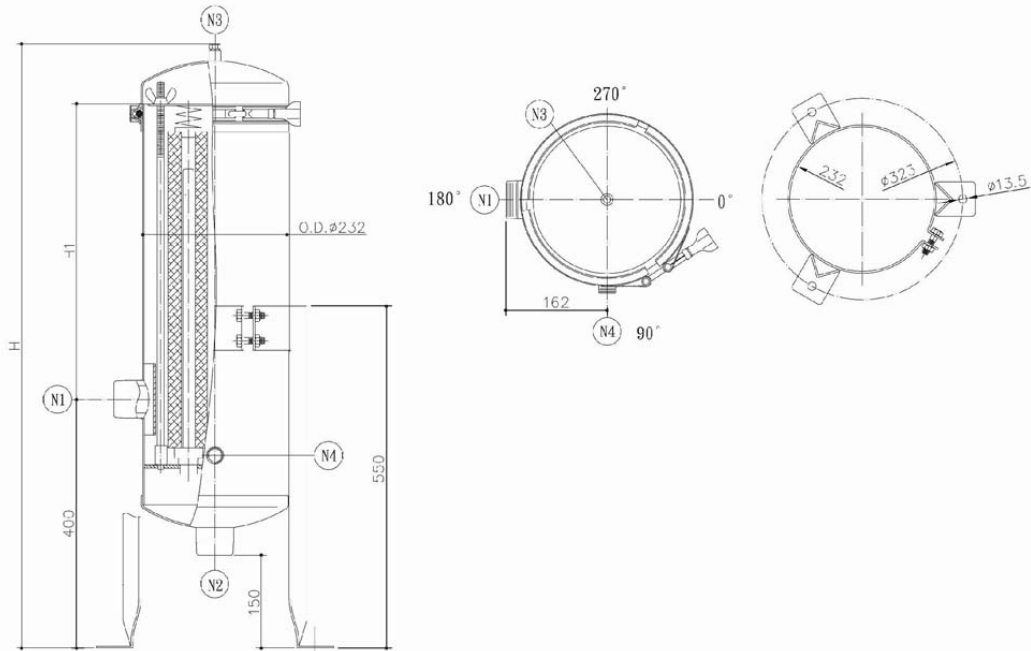
### Other standard filter housings

We also supply other standard filter housings suitable for all industrial liquid and gas applications for various flow rates. For more information please contact your local representative.

## 5. Filter cartridges

Filtration Group BV. supplies a wide range of filter cartridges in different medias, pore sizes, dimensions and models to fit in our housings as well as those of other manufacturers.

For detailed information about filter cartridge options, please contact your local representative.



## 6. Nozzle specification

- N1: Inlet (DN50 Flanged / 2" Threaded)
- N2: Outlet (DN50 Flanged / 2" Threaded)
- N3: Vent (Rp ¼ - NPT)
- N4: Drain (Rp ¼ - NPT)

## 7. Dimensions

Size	Diameter [mm]	Height [mm]	Height [mm]	Volume [dm <sup>3</sup> ]
	A	H	H1	
10"	232	717	221	20
20"	232	971	475	30
30"	232	1225	729	40
40"	232	1489	983	50

Dimensions are for reference only. Use dimensional drawing for installation purposes. Subject to technical alteration without prior notice.

## 8. Ordering code

Example

AFT7	1	A	2	
Type	Cartridge length	Material	Inlet/outlet	Cartridge style
AFT 7 = 7 cartridges (10")	1 = 10"	A = stainless steel 304	2 = Rp2 - ISO7-1 (standard)	no code = X0, X4, X9 style
AFT 14 = 7 cartridges (20")	2 = 20"	S = stainless steel 316	2F = DN50 acc. EN1092/PN16	X3 = X3, X8 style
AFT 21 = 7 cartridges (30")	3 = 30"			
AFT 28 = 7 cartridges (40")	4 = 40"			