

## Cartridge filter

### AFT144

## 1. Introduction

The Filtration Group AFT 144 cartridge filter housing has been designed to offer a cost effective high flow rate, stainless steel housing.

The AFT 144 is suitable for a wide range of applications and

## 2. Features

- Accepts a wide range of cartridge end fittings – single open end (with or without fin) SOE and double open end (DOE) due to innovative sealing system.
- Suitable for 36 x 40" cartridges for maximum flow rate
- Davit arm as standard
- Eyebolt closure for added security
- 304 or 316 stainless steel construction for maximum chemical compatibility
- Ease of use design and construction
- DN150 flange inlet / outlet as standard
- O ring sealing: EPDM

## 4. Filter cartridges

Filtration Group supplies a wide range of filter cartridges in different medias, pore sizes, dimensions and models to fit any of its existing housings as well as those of other manufacturers.

For detailed information about filter cartridges option, please contact your local representative.

### Dimensions

N1	Inlet DN150 EN1092/PN16
N2	Outlet DN150 EN1092/PN16
N3	Vent Rp 1"
N4	Drain Rp 1½"
N5	Pressure gauge connection Rp ¼"

### Nozzle specifications

A	506 mm
B	2148 mm
C	450 mm
D	498 mm
E	673 mm

## 3. Standard specifications

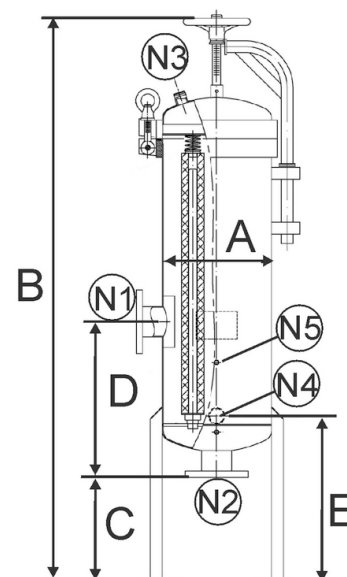
Design pressure :	10 bar(g)
Design temperature :	-10 / 90 °C
PED 2014/68/EU :	article 4 paragraph 3

### Maximum differential pressure

design :	2.5 bar
operating :	depending on type of filter cartridge installed

The internal construction is designed to suit:

- Double Open End (X0, X4 and X9)
- Single Open End (X3 and X8)





## 5. Ordering code

Example

AFT144	4	A	6F	
Type	Cartridge length	Material	Inlet/outlet	Cartridge style
	4 = 40"	A = stainless steel 304 S = stainless steel 316	6F = DN150 acc. EN1092/PN16	No code = X0, X4 and X9 style X3 = X3, X8 style