

Cartridge filter

AFL1-SS

1. Introduction

The AFL1 stainless steel cartridge filter housing is designed to accommodate a single DOE style filter cartridge. The spring seal construction allows for small deviations in cartridge length. The T-handle avoids the need for using tools for changing the filter cartridge. The filter cartridge housings are suitable for filtering non dangerous liquids and conforms to the PED 2014/68/EU article 4, paragraph 3.

2. Features

- Suitable for a single DOE cartridge 10" and 20", other lengths on request
- All stainless steel 316 construction
- Viton® O-ring sealing standard, other materials on request
- ½", ¾" and 1" NPT connections, other connections on request
- No tools required for changing the filter cartridge
- Vent and drain plugs are standard



3. Filter cartridges

Filtration Group supplies a wide range of filter cartridges in different materials, pore sizes, dimensions and models to fit in our housings as well as those of other manufacturers.

For detailed information about filter cartridges, please contact your representative.

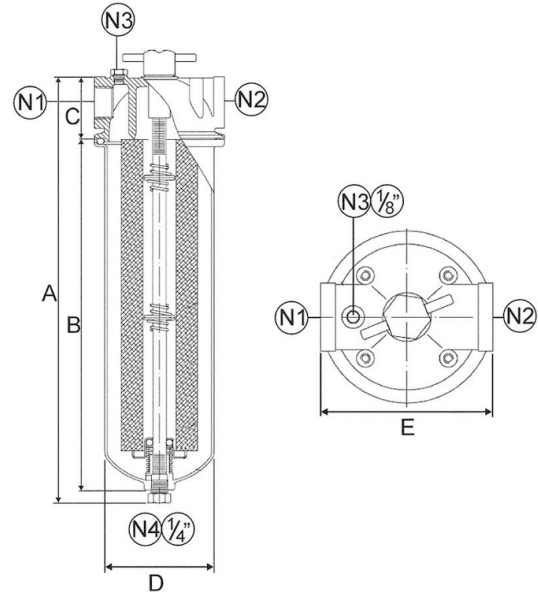


4. Standard specifications

Bowl : stainless steel 316
 Head : cast stainless steel 316
 Cover O-ring : Viton®, other materials on request
 T-handle O-ring : PTFE
 Operating pressure : max. 12 bar(g) @ 65 °C
 Operating temperature max. 90 °C
 :

The internal construction is designed to suit Double Open End (code X0) filter cartridges.

5. Outline drawing



N1: Inlet, N2:Outlet, N3: Vent, N4: Drain

Dimensions [mm]

Filter model	A	B	C	D	E
AFL1-10	369	287	72	89	106
AFL1-20	623	541	72	89	106



6. Ordering code

Example

AFL1	10	S	1
Type	Cartridge length	Material	Inlet/Outlet
	10 = 10"	S = stainless steel 316	$\frac{1}{2}$ = $\frac{1}{2}$ " NPT
	20 = 20"		$\frac{3}{4}$ = $\frac{3}{4}$ " NPT
	Other lengths on request		1 = 1" NPT
			Other connections on request