

Bag filter

AF1 Synthetic housing

1. Introduction

For a wide number of filtration applications bag filters are a simple, easy to use and economical choice.

Filtration Group BV supplies a wide range of filter bags and bag filter housings. This glass reinforced polypropylene bag filter is used for applications where a high degree corrosion resistance is required.

Our bag filters are excellent for use in the filtration of liquids containing higher concentrations of coarse solids. They are particularly beneficial when handling batches of (various) liquids. They are also especially suitable for end filtration or polishing of liquids with extremely low concentrations of solids.

2. Features

- Housing body one single piece
- Working pressures up to 10 bar(g)
- Integral mounting flange
- Inlet and outlet can be on the opposite side or on the same side of the filter. Drain is opposite to outlet. A drain plug is supplied.
- Hand removable, spin off cover
- External cover threads
- O-ring seal
- Plastic vent valve on cover with gauge tap
- Corrosion resistant exterior, no coatings required

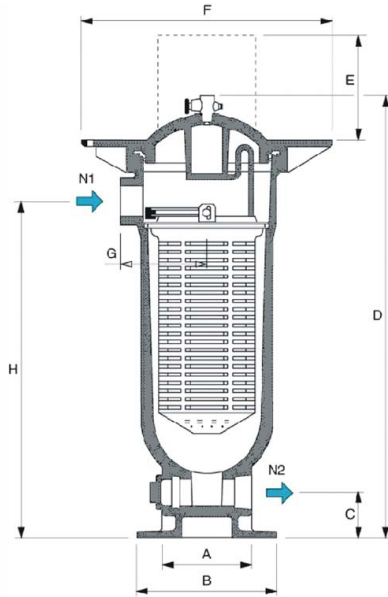
3. Filter bags

Filtration Group BV supplies a wide range of filter bags in different materials, pore sizes, dimensions and models to fit in our housings as well as those of other manufacturers.

For detailed information about amaFlow filter bags, please see respective Data Sheets.



4. Dimensions



Type	A	B	C	D	E	F	G	H
90	165	254	83	795	508	465	156	607
180	165	254	83	1200	914	465	156	1013

Dimensions are for referency only. Use dimensional drawing for installation purposes.

Subject to technical alteration without prior notice.

6. Order information

Example

	AF 1 90	P	2
Type	AF 1 90 = for bag size 1 AF 180 = for bag size 2		
Material	P = glass reinforced polypropylene		
Inlet / Outlet	2 = 2"NPT 2F = DN50		

5. Standard specifications

Connections

N1 (Inlet) :	2" NPT or DN50
N2 (outlet) :	2" NPT or DN50
N3 (Drain) :	2" NPT
N4 (Vent) :	¼"NPT

Materials

Filter housing, basket :	glass reinforced polypropylene
O-Rings :	Viton®

Pressure rating

10 bar(g) at 20° C
5 bar(g) at 80° C

Maximum pressure difference

1.4 bar

Weight

27 kg model 90
36 kg model 180